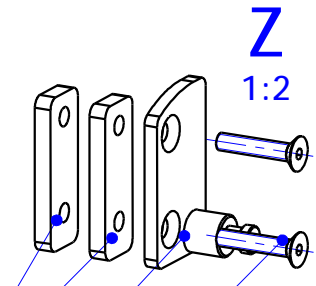
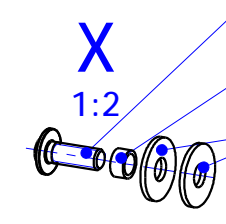


- 175B\_0300\_061
- 210R\_0340\_001
- DIN\_7991\_M5X25



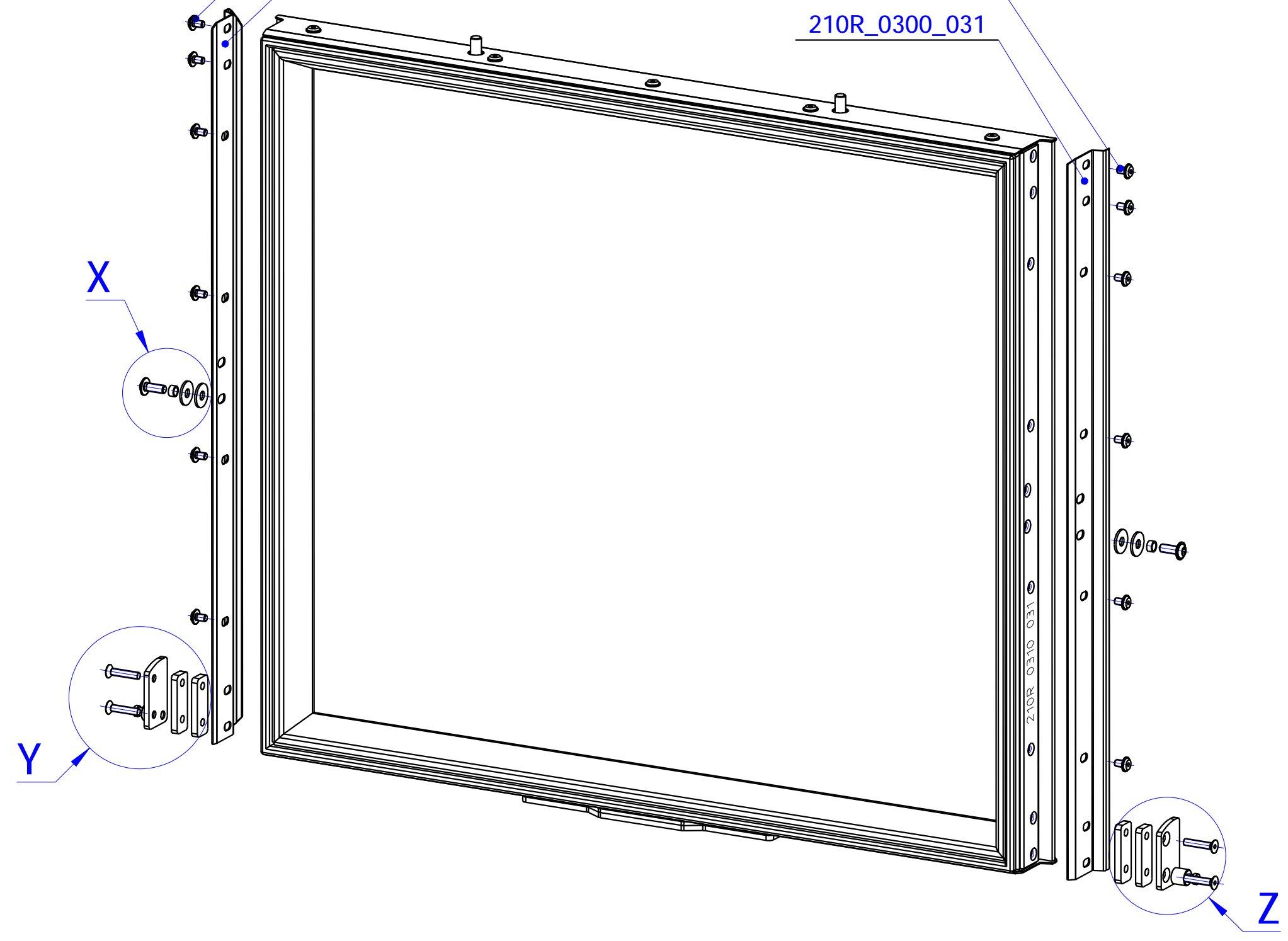
- 175B\_0300\_061
- 210R\_0330\_001
- DIN\_7991\_M5X25



- BN\_11252\_M6X16
- 161\_030\_101
- CSN\_021729\_6

- BN\_11252\_M5X8
- 210R\_0300\_031

- BN\_11252\_M5X8
- 210R\_0300\_031



I2LG 01

12 / 12

